



801 W. Springhill Dr. Terre Haute, IN 47082
www.metalsupplydepot.com | 855-23METAL

**HOW TO FIGURE METAL
ROOFING MATERIALS**



Thank you for your interest in Metal Supply Depot Roofing Materials!

Please use the following instructions to learn how to figure your Metal Supply Depot metal roofing materials. If you have any questions about measuring your roof or are ready to order your materials, please fill out the order forms at the back of the booklet or reach out to us through our website, phone or email.

www.metalsupplydepot.com
sales@metalsupplydepot.com
855-23METAL



FOREVERDaVINCI



FOREVERTILE



FOREVERTILE 2



FOREVERSHAKE



FOREVERDIVA



FOREVERSLATE
PLUS



FOREVERSLATE
PLUS SMOOTH



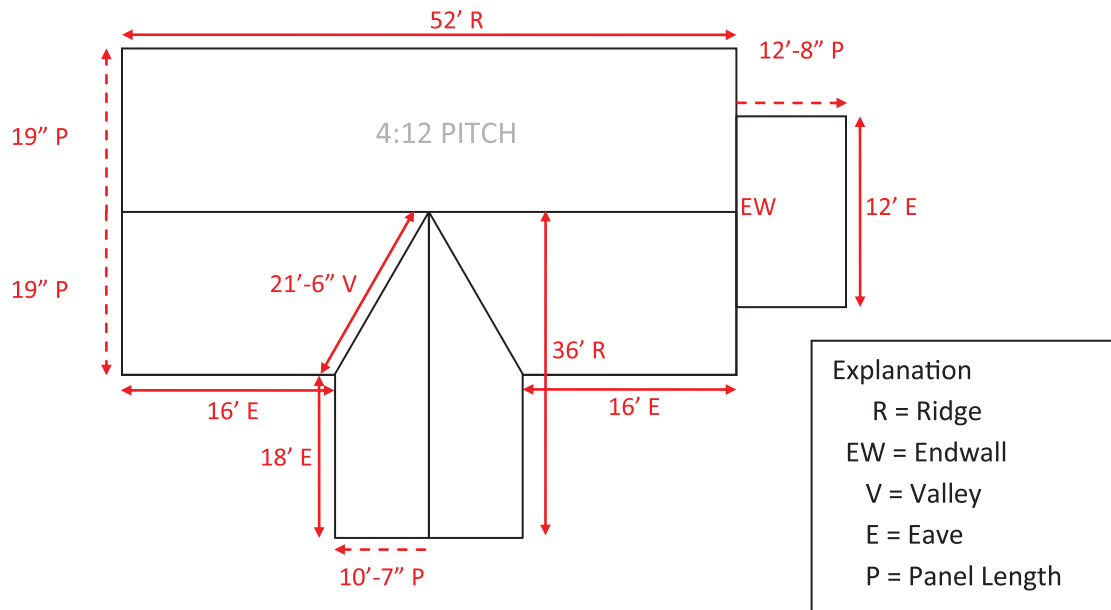
FOREVERSEAM



FOREVERRIB

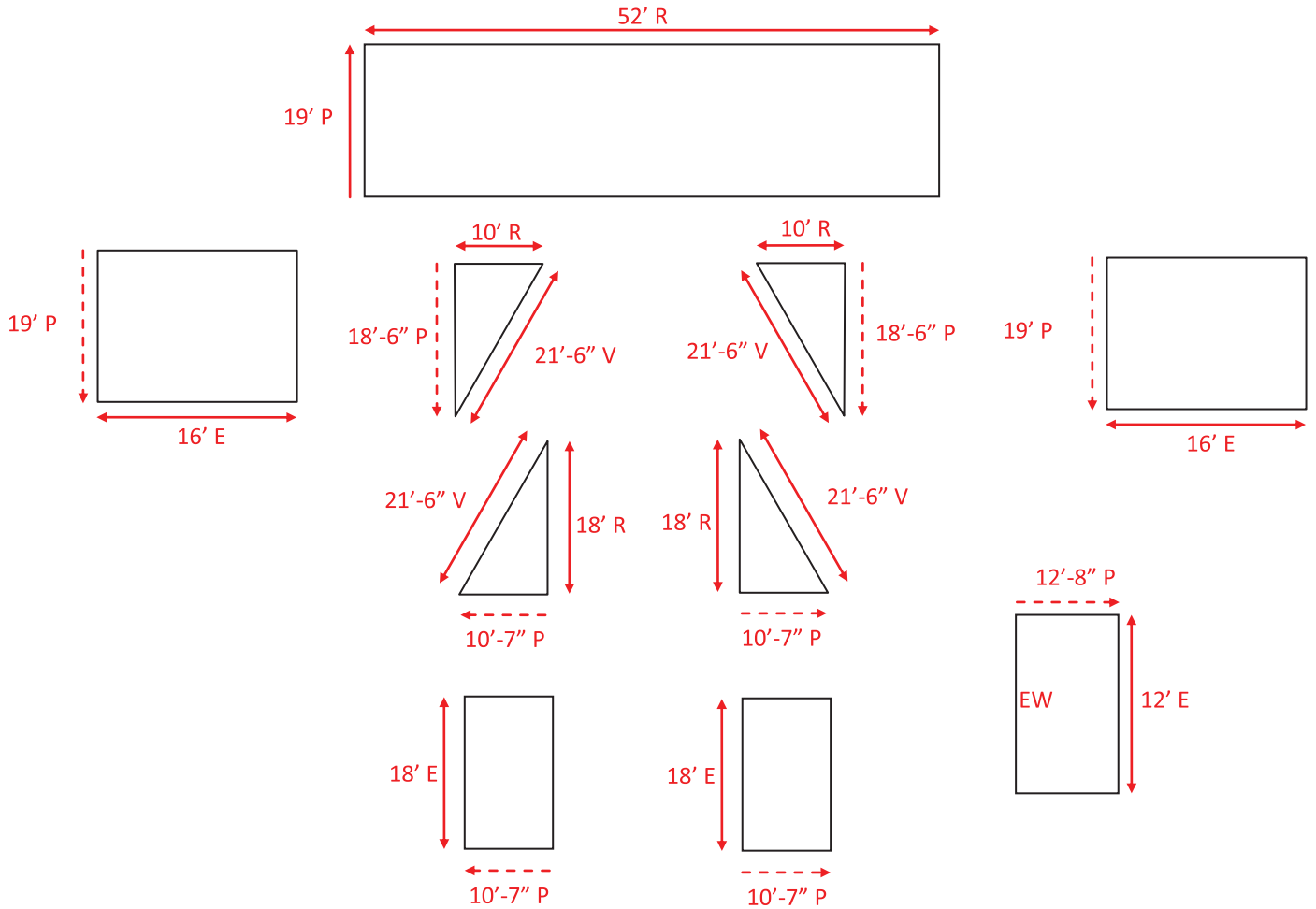
How to Figure Metal Roofing Materials

1. The first step in figuring your metal roofing is to make a sketch of it, complete with the roof measurements. Take the house below as an example:



Note: From here you can just present us with this drawing and the product you want figured. From there we will do the rest, figuring both the panels and trim you need. Be sure to include the complete form on page 7.

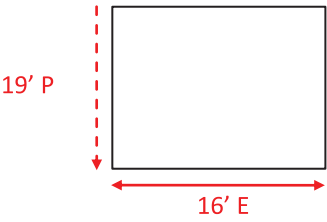
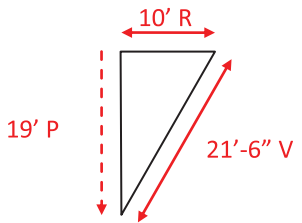
2. The second step is to break it into rectangles and triangles like this:



Explanation	
R	= Ridge
EW	= Endwall
V	= Valley
E	= Eave
P	= Panel Length

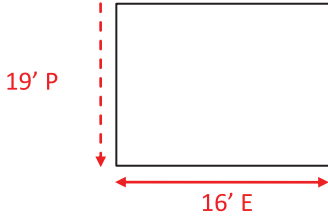
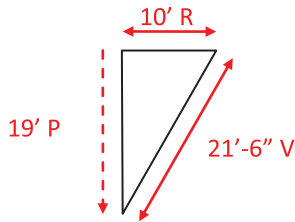
3. The next step depends on what type of metal roofing you are figuring: small shingles such as metal shingles or metal panels. For vertical panels, skip to the next page. For shingles, read on.

Figuring Metal Shingles

Shingles	
<p>Rectangles:</p> <p>Multiply the length by the height to find the square footage of each rectangular section</p>	
<p>Triangles:</p> <p>Multiply the length by the height, then divide by 2 to find the square footage of each triangular section</p>	
<p>Add the square footage up for all sections and add them together. Add approximately 10% for waste</p>	

Trim	
<p>Add up the total footage of each type of trim; ridge, gable, eave, valley, transition, endwall, sidewall, etc and put it in a list like this:</p>	<ul style="list-style-type: none"> • Ridge – 88 feet • Gable – 124 feet • Eave – 132 feet • Valley – 44 feet • Endwall – 12 feet
<p>Again with the trim it is recommended that you add about 10% for waste, trim laps, etc...</p>	

4. Figuring Vertical Panel Materials.

Panels	
<p>Rectangles:</p> <p>Divide the width of each section by the width of the panel you are using to get the number of panels. Specify the panel lengths, to the half-inch.</p> <p>In this example, for a 3' wide panel you would need 6pc at 18' 6" long for this section.</p> <div style="text-align: center; margin-top: 20px;">  </div>	<p>Triangles:</p> <p>Measure each panel getting shorter every X length across (replace X with the width of your panel). There will be one panel of each length for each triangle.</p> <div style="text-align: right; margin-top: 20px;">  </div> <p>Or ask about an Excel spreadsheet where you plug in the panel length, base, and panel width to find out how much shorter each panel needs to be.</p> <p>Or if you don't mind a little waste, divide the width (10' in this case) by the width of the panel you are using to get the number of panels. The length is as needed.</p> <p>If you did it this way for the above example, for a 3' wide panel you would need 4pc at 18' 6" long for this section.</p>
<p>Make a list showing the quantity needed for each length. We recommend that you add 2 panels of the longest length.</p>	

Trim	
<p>Add up the total footage of each type of trim; ridge, gable, eave, valley, transition, endwall, sidewall, etc and put it in a list like this:</p>	<ul style="list-style-type: none"> ● Ridge – 88 feet ● Gable – 124 feet ● Eave – 132 feet ● Valley – 44 feet ● Endwall – 12 feet
<p>It is recommended that you add about 10% to each trim quantity for waste, trim laps, etc...</p>	

Just present us with this list and we will take it from here, carefully figuring all the correct pieces you need. Be sure to include the complete form on page 7.

Metal Shingle Material List

Put in the sq footage of shingles and feet of trim you need in the correct spaces,
then fax or email it to us for an estimate.

Shingles	
SQ FT	SQ FT

TOTAL =

Trim	
Roof Area	Feet
Ridge or Hip	
Gable	
Eave	
Valley	
Transition	
Endwall	
Sidewall	
Other (specify)	
Other (specify)	
Other (specify)	

Other	
Roof Pipes (specify sizes)	
Chimneys (specify sizes)	
Other Protrusions	
Other	

Vertical Panel Material List

Put in the amounts of panels and trim you need in the correct spaces, then fax or email it to us for an estimate.

Panels			
Qty.	Length		Qty. Length

Trim	
Roof Area	Feet
Ridge or Hip	
Gable	
Eave	
Valley	
Transition	
Endwall	
Sidewall	
Other (specify)	
Other (specify)	

Other	
Roof Pipes (specify sizes)	
Chimneys (specify sizes)	
Other Protrusions	
Other	

Quote Request Sheet - Metal Roofing

Fill this sheet out and send it along with your materials list or drawing, and we will gladly figure up the cost. We can then email or fax it directly to you.

Name:		Date:	
Phone:		Important Additional Information: (If you know the pitch(es) of your roof, please include them here.)	
Cell: (optional)			
Fax: (optional)			
Email: (optional)			
Shipping Address:			
Product(s): (If applicable also specify gauge and whether you would like it painted or bare mill finish)			
Circle One:	<i>Vented Ridge</i> <i>Non-Vented Ridge</i> <i>Figure Both as options</i>		
Circle One:	<i>Include Synthetic Underlayment as an option</i> <i>Don't Include Underlayment</i>		
Circle One:	<i>Include Ice & Water Shield at Eaves, Valleys & Dormers as an option</i> <i>Don't Include Ice & Water Shield</i>		

Send to:
855-23METAL
www.metalsupplydepot.com

DATE: _____

DELIVERY ADDRESS:

DELIVERY DATE REQUESTED:

CONTRACTOR: _____

CLIENT / PO: _____

COLOR: _____

#	PANEL LENGTH

TRIM	FEET
RIDGE / HIP STANDARD	
RIDGE / HIP LARGE	
GAMBRIL /12 - /12	
GABLE RESIDENTIAL	
GABLE (2X2)(4X4)	
ENDWALL /12	
SIDEWALL	
TRANSITION /12 - /12	
VALLEY	
SNOW GUARD	
EAVE	
J-CH	
F-CH	
BRICK MOULDING	
1" Z BAR	
BASE	
COUNTER FLASHING 4"	
FASCIA 4" / 6" / 8"	

	#
1.5" SCREW 250ct	
2.5" SCREW 250ct	
1" PANCAKE 250ct	
RIVITS 50ct	
SEALANT	
BUTYL TAPE 7/8"X3/16"X40'	
EXPANDING FOAM 1"X20'	
VERSA VENT 10'/ ROLL	
I.S. FOAM CLOSURE	
O.S. FOAM CLOSURE	
UTILITY VENT	
#1 RETRO ¼-2½	
#2 RETRO 2-7¼	
#1 REGULAR ¼-2½	
#3 REGULAR ¼-5	
#5 REGULAR 4¼-7½	
#6 REGULAR 5-9	
#8 REGULAR 7-13	
#9 REGULAR 10-19	
#3 HI-TEMP ¼-5	
#5 HI-TEMP 4¼-7½	
#8 HI-TEMP 7-13	
#9 HI-TEMP 10-19	
ICE & WATER 2sq	
AYR-FOIL 7.5sq	
SYNTHETIC 10sq	
COIL STOCK Per FT	

Contractor: _____

Job Name: _____

Color: _____



Date: _____

Delivery Address: _____

ForeverSeam Order Form

ForeverSeam Panels	
Quality of Panels	Panel Length

ForeverSeam Trim & Accessories		
	#	Required Information
Ridge/Hip		Pitch ____/12
Valley		
Joggle Cleat		Needed for Transition, Valley, Rake
Drip Edge		
J-Receiver		Needed for Sidewall, Endwall, Rake, Transition
Vented J		Needed for Both Sides of Ridge
Sidewall		
Endwall		Pitch ____/12
Transition		Pitch ____/12 to ____/12
S-5 Snow Guard		Insert__ Rails__ LF Clips__ Clamp__
Z-Bar		In Place of Solid J
Rake		
Coil Stock		20° Only
Butyl Tape		Needed for Z, J, Joggle Cleat
Sealant		
1" Pancake		
2: Pancake		
Roofing Nails		
1-1/2" Screws		Washer Screw
2-1/2" Screws		Washer Screw
Rivets		
Boots & Vents		
#1 (1/4")-(2-1/2")		__Regular __Hi-Temp
#2 (2")-(7-1/4")		__Regular __Hi-Temp
#3 (1/4")-(5")		__Regular __Hi-Temp
#5 (4-1/4")-(7-1/2")		__Regular __Hi-Temp
#6 (5")-(9")		__Regular __Hi-Temp
#8 (7")-(13")		__Regular __Hi-Temp
#9 (10")-(19")		__Regular __Hi-Temp
Underlayment		
Ice & Water 2 Sq.		
Synthetic 10 Sq.		
Ayre Foil 7.5 Sq.		

ALL TRIM COMES IN 10'2" SECTIONS



801 W. Springhill Dr. Terre Haute, IN 47082
www.metalsupplydepot.com | 855-23METAL